



▼ Pneumatic Dual Flush

All you see is the actuator



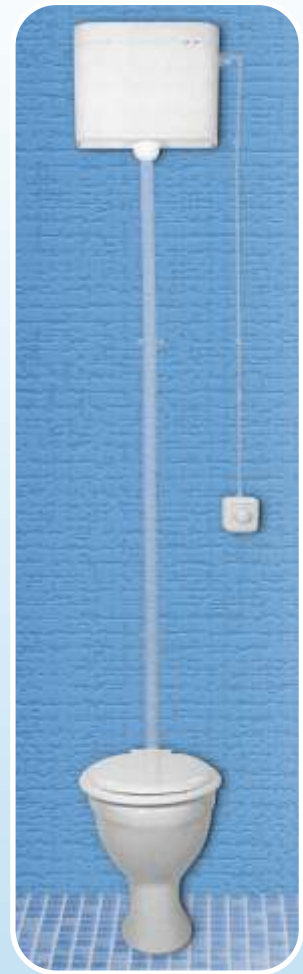
7 years  
Guarantee



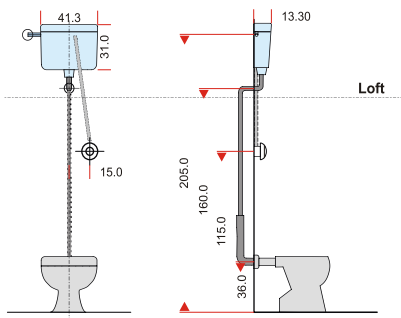
**The COMMANDER PNEUMATIC DUAL FLUSH  
activates a cistern upto a distance of 10 feet.  
It is tested for 2,00,000 cycles.**

**The other features of the COMMANDER PNEUMATIC DUAL FLUSH are :**

- Space Saving.
- Dual Flush Water saving
- All components are in ABS, Acetal, EVA, EPDM, Nylon, PP and other high quality non corrosive materials.
- Inlet nozzle is 5 mm in dia and lets through tank dirt and debris. Does not jam the opening.
- Useful in hard, salty and contaminated water.
- Uses standard 1/2" pipe with 1/2 bar to 10 bar head. Dose not need 1 3/4" pipes with 15' head or pressure lines.
- Possibility of remote location Architectural Design flexibility.
- Silent operation
- Maintenance : Commander cisterns work years without maintenance. All parts are standardized and replaceable.

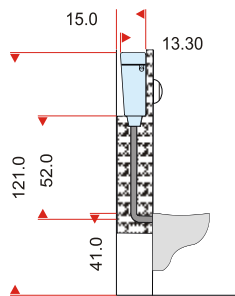


**Applications of the COMMANDER PNEUMATIC DUAL FLUSH**



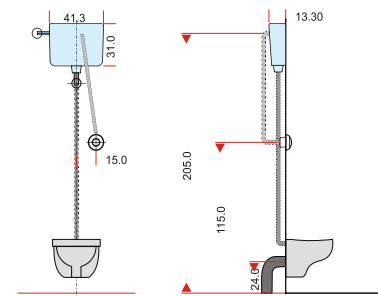
**1 LOFT**

Pneumatic dual flush on the loft with wall mounted actuator



**2 LEDGE**

Pneumatic dual flush in ledge with concealed actuator



**3 SHAFT**

Pneumatic dual flush in shaft with wall concealed actuator

All Dimensions are in cms.



**Commander Watertech Pvt. Ltd.**

**Head Office :** Joshi Building, Saki Vihar Lake Road, Mumbai- 400 072. Tel: (022) 28570194, 28571099, 66947859  
Fax: (022) 28570234. Email: sales@commanderwatertech.com Website: www.commanderwatertech.com

**Ahmedabad :** 079 32206648 gujrat@commanderwatertech.com, **Bangalore :** 080 65606739 bglr@commanderwatertech.com

**Chennai :** 044 65513334 chennai@commanderwatertech.com, **Jaipur :** 0141 2223440 jaipur@commanderwatertech.com

**Delhi :** 011 24370604 delhi@commanderwatertech.com, **Cochin :** 0484 2405674/6588285 kerala@commanderwatertech.com

**Kolkata :** 033 25907092 kolkata@commanderwatertech.com, **Lucknow :** 0522 4013152 lucknow@commanderwatertech.com

**Pune :** 020 27033135 pune@commanderwatertech.com, **Secunderabad :** 040 27844363 andhra@commanderwatertech.com

[www.commanderwatertech.com](http://www.commanderwatertech.com)